

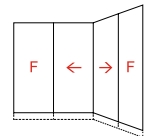
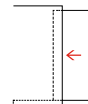
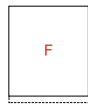
ah!38
Invisible
Frame

ah!38 IF

introduction

ah!38 invisible frame system further emphasizes the minimalism feature by concealing the frame below the finished floor, walls and ceiling. It offers a threshold-free transition between inside and outside as the space between the narrow tracks is covered by the same material as the interior of the room. The glass panel, supported by a slim "I" shaped profile, slides over a narrow slot in the floor. Double glazed surface areas of up to 19m² and triple glazed of up to 6m² are possible.

sliding system



monorail
birail
trirail
multirail

•

•
•
•

•
•
•

•
•
•

main dimensions up to

vertical profile	20mm
max. leaf height	6000mm
max. leaf width	6000mm
max. weight	up to 2.000kg / glass pannel
max. glazed area	double glazing up to 19m ²
	triple glazing up to 6m ²
glass thickness	38mm

performance up to

light transmission	up to 98%
thermal coefficient	double triple Uw = 1.165W/m ² .K (Ug = 0.7W/m ² .K) Uw = 0.816W/m ² .K (Ug = 0.47W/m ² .K)
security	RC2 / WK2
sound insulation	41dB
water tightness	up to Class E900
air tightness	up to Class 4
wind tightness	up to Class C5

construction

finishes All **panoramah!**® System series guarantee that the following finishes are carried out by duly certified entities, according to QUALICOAT and QUALANOD directives: Lacquered RAL, Lacquered PVDS, Anodized, Satin, Polished and Repellent.

add-ons Insect screens / heated glass / intrusion detectors / balustrade / soft close

motorisation Our motorisation system can be adapted to all sliding or opening systems allowing a full integration with minimum interference in architectural design with a simplified and very quiet opening.

Wingadal House | Sydney, Australia
Collins and Turner
© panoramah!®



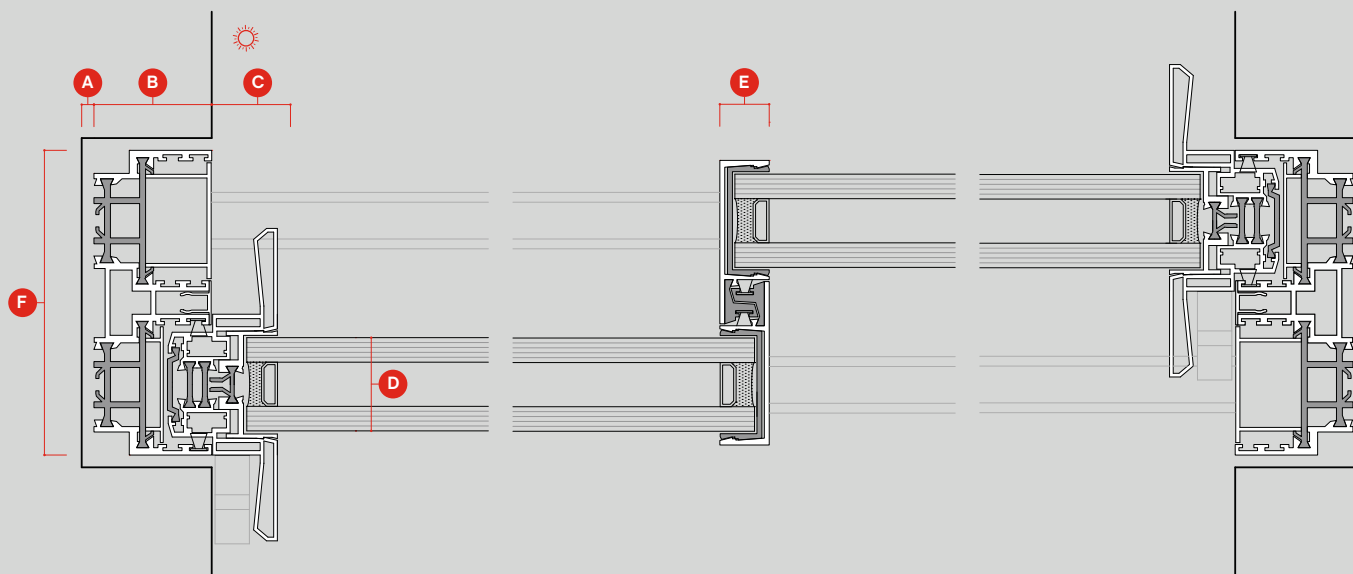
MS House | Porto Feliz, Brazil
Jacobsen Architectura
© FG+SG

ah!38

invisible frame option B common sections

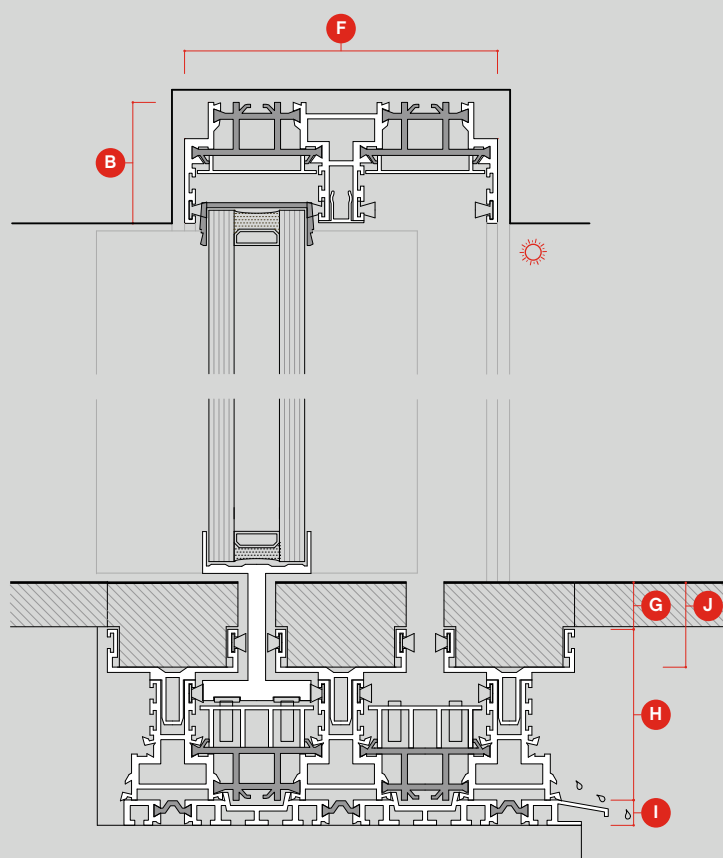
1:3

scale



dimensions

A 5mm	F 124mm
B 48mm	G 18mm
C 27mm	H 68mm
D 38mm	I 10mm
E 20mm	J 33mm

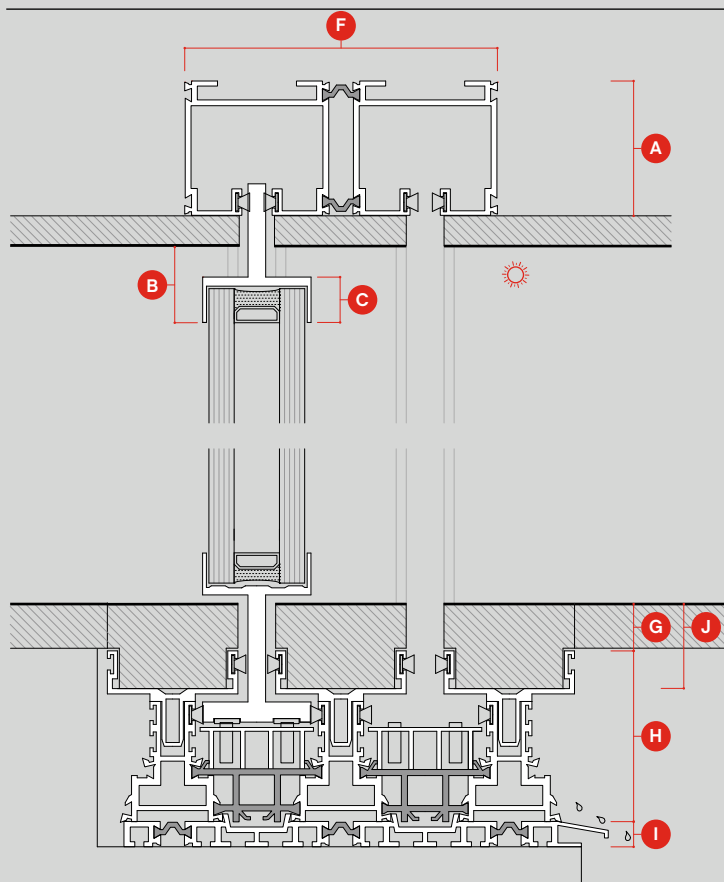
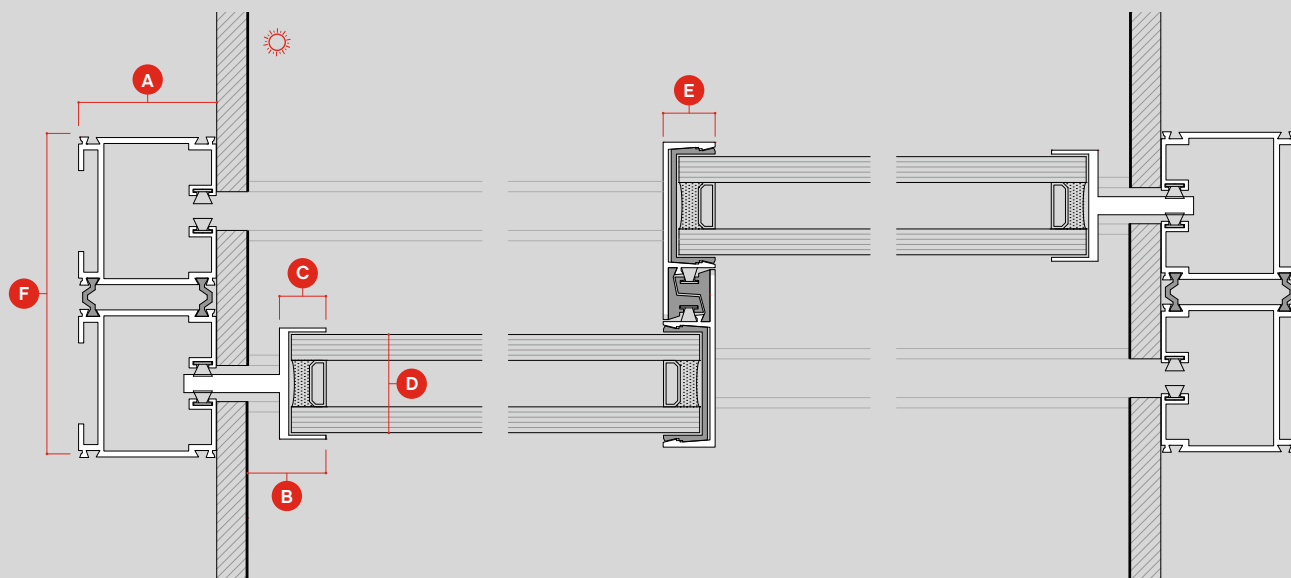


ah!38

motorised invisible frame option A common sections

1:3

scale



dimensions

A 53mm	F 124mm
B 30mm	G 18mm
C 18mm	H 68mm
D 38mm	I 10mm
E 20mm	J 33mm

motorisation

space required for motorisation system: 150mm above the top frame

we build ah!



unlimited perspective sa
ch philibert-de-sauvage 37
1219 chatelaine
switzerland

p. +41 21 804 1700
f. +41 21 804 1709

info@panoramah.com
www.panoramah.com

facebook
www.facebook.com/panoramah.ch/

instagram
www.instagram.com/_panoramah_/