

ah!38

ah!38

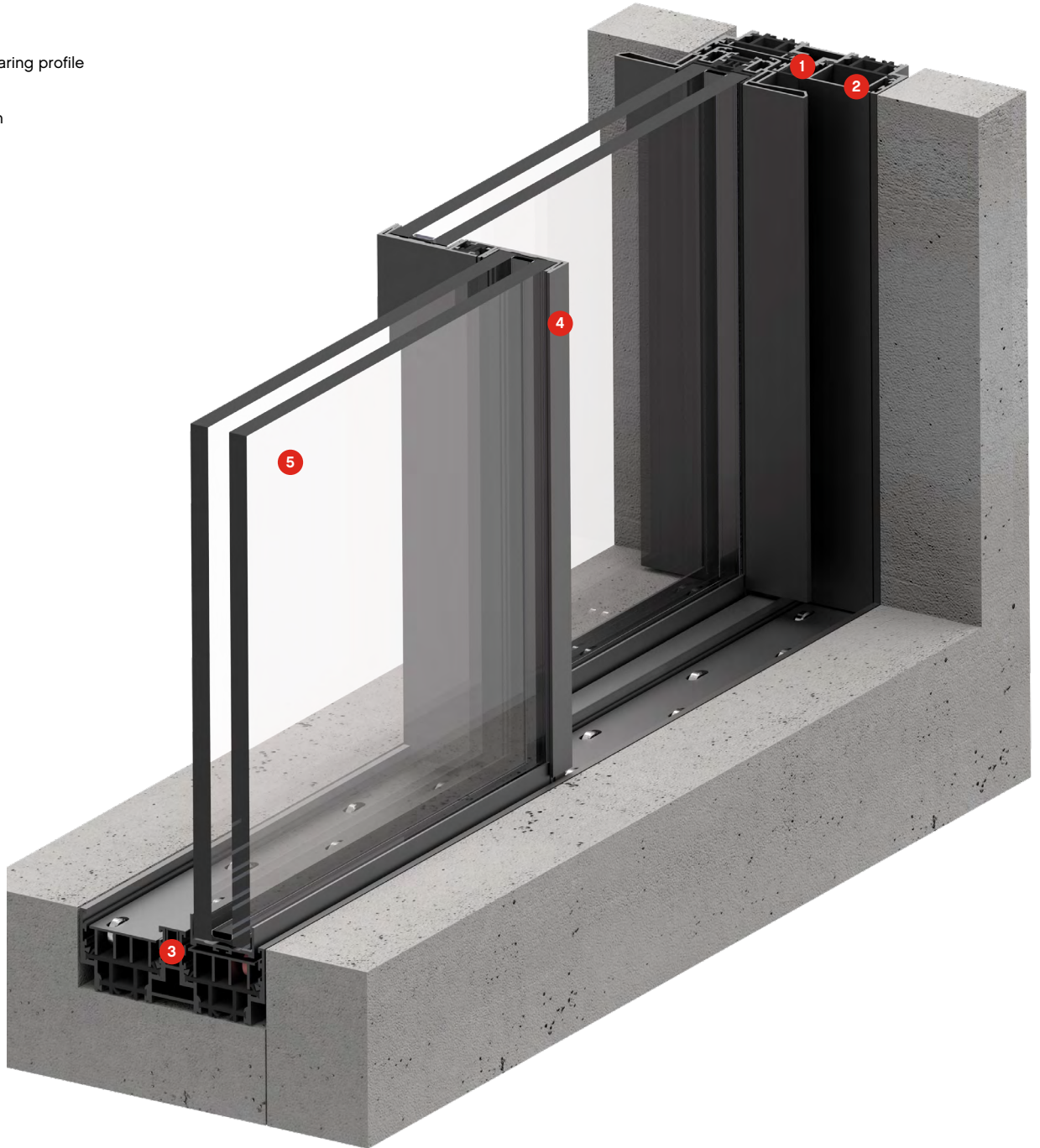
introduction

ah!38 excels as an exterior opening system comprising a balanced combination of thermal and acoustic behavior, suited to all climates. It offers great flexibility in the modular composition of openings, including opening corner solutions, pocket sliding configurations, curved layouts, tilted spans and retractable mosquito nets. The alternatives come in a wide range of formats such as sliding, vertical sliding, pivot and tilt-turn units. ah!38 also includes a variety of add-ons, finishes and it can be completely automated. It is a system that allows double glazed surface areas of up to 19m², or triple glazed of up to 6m². Both options use 20mm vertical profiles.

	sliding system							opening system	
	fixed	sliding	invisible	pocket	corner	curved	vertical	tilt-turn	pivot
monorail	•		•	•	•	•	•		
birail	•	•	•	•	•	•	•	•	•
multirail	•	•	•	•	•	•	•		

main dimensions up to		performance up to	
vertical profile	20mm	light transmission	up to 98%
max. leaf height	6000mm	thermal coefficient	double triple Uw = 1.165W/m ² .K (Ug = 0.7W/m ² .K) Uw = 0.816W/m ² .K (Ug = 0.47W/m ² .K)
max. leaf width	6000mm	security	RC2 / WK2
max. weight	up to 2.000kg / glass pannel	sound insulation	41dB
max. glazed area	double glazing	water tightness	Class E900
	triple glazing	air tightness	Class 4
glass thickness	38mm	wind tightness	Class C5

- 1 main frame
- 2 polyamide
- 3 removable bearing profile
- 4 central mullion
- 5 glass



construction

finishes

All **panoramah!**® System series guarantee that the following finishes are carried out by duly certified entities, according to QUALICOAT and QUALANOD directives: Lacquered RAL, Lacquered PVDS, Anodized, Satin, Polished and Repellent.

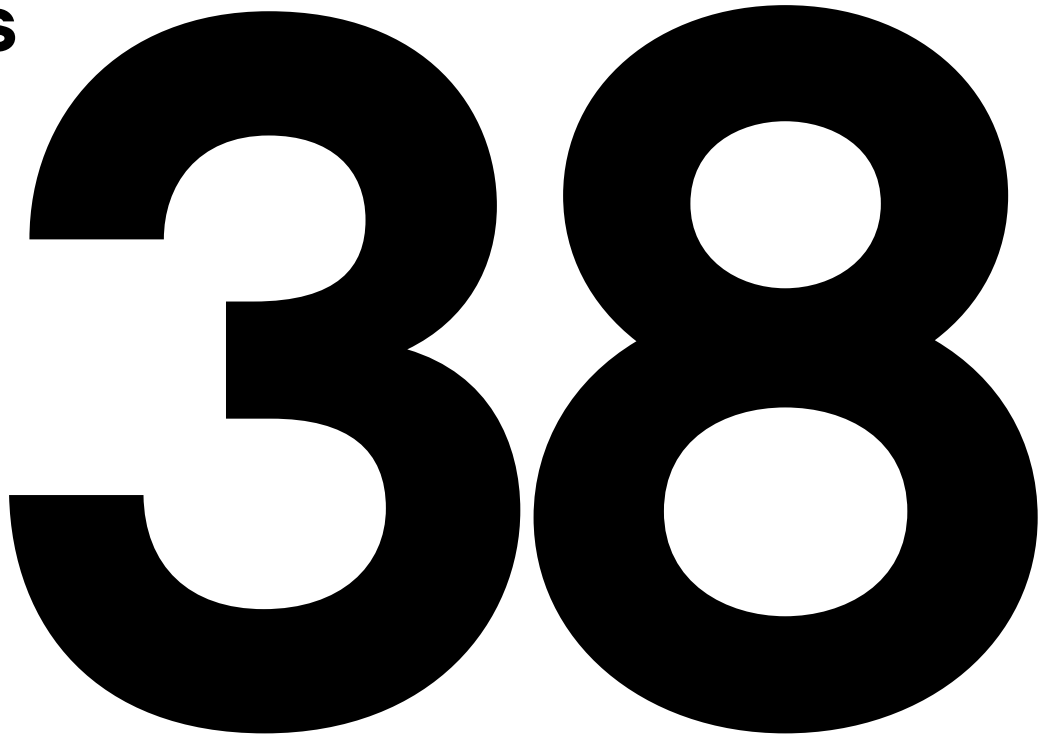
add-ons

Insect screens / heated glass / intrusion detectors / balustrade / soft close

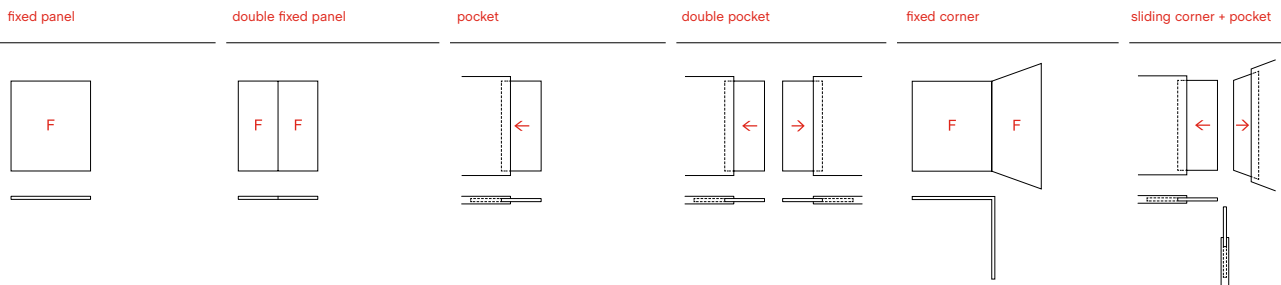
motorisation

Our motorisation system can be adapted to all sliding or opening systems allowing a full integration with minimum interference in architectural design with a simplified and very quiet opening.

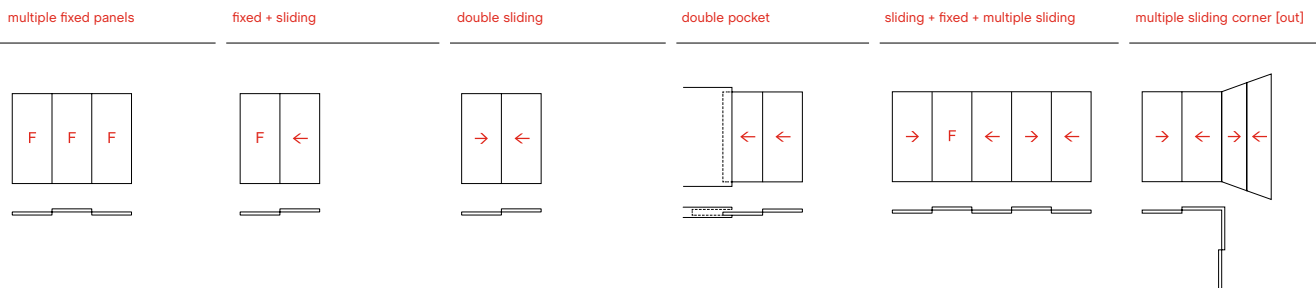
typologies



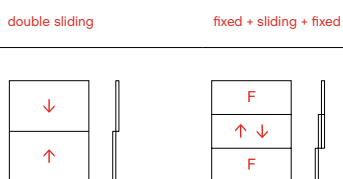
horizontal sliding system > monorail



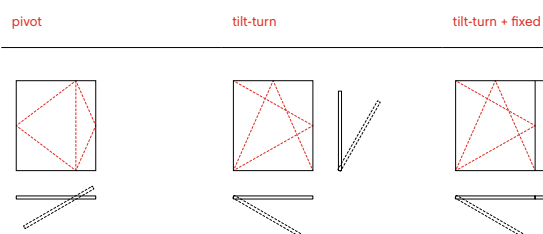
horizontal sliding system > birail



vertical sliding system > birail



opening system

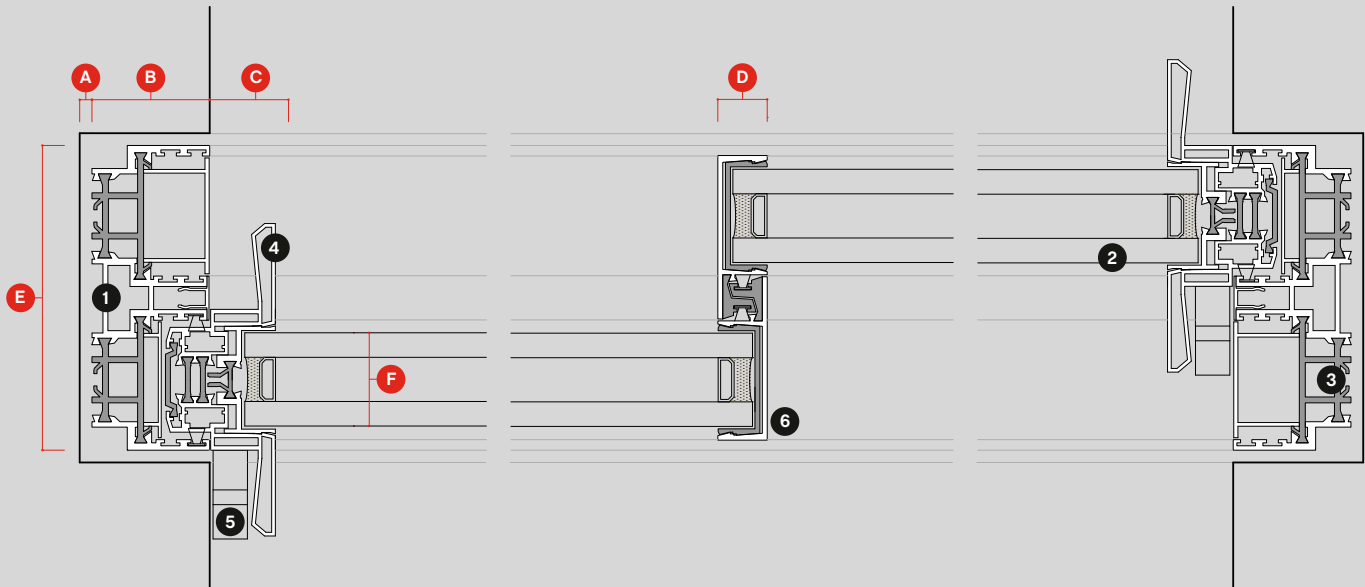


ah!38

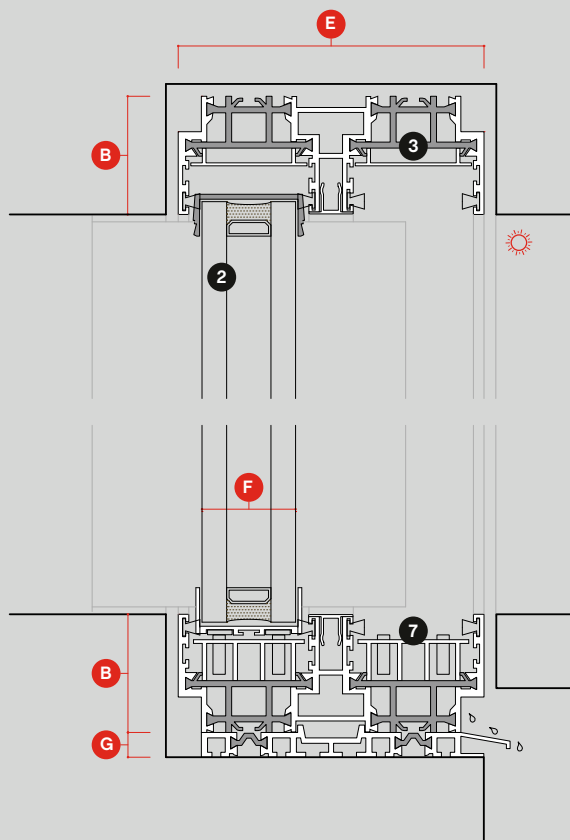
sliding birail common sections

1:3

scale



dimensions and main components



A 5mm	E 124mm
B 48mm	F 38mm
C 27mm	G 10mm
D 20mm	

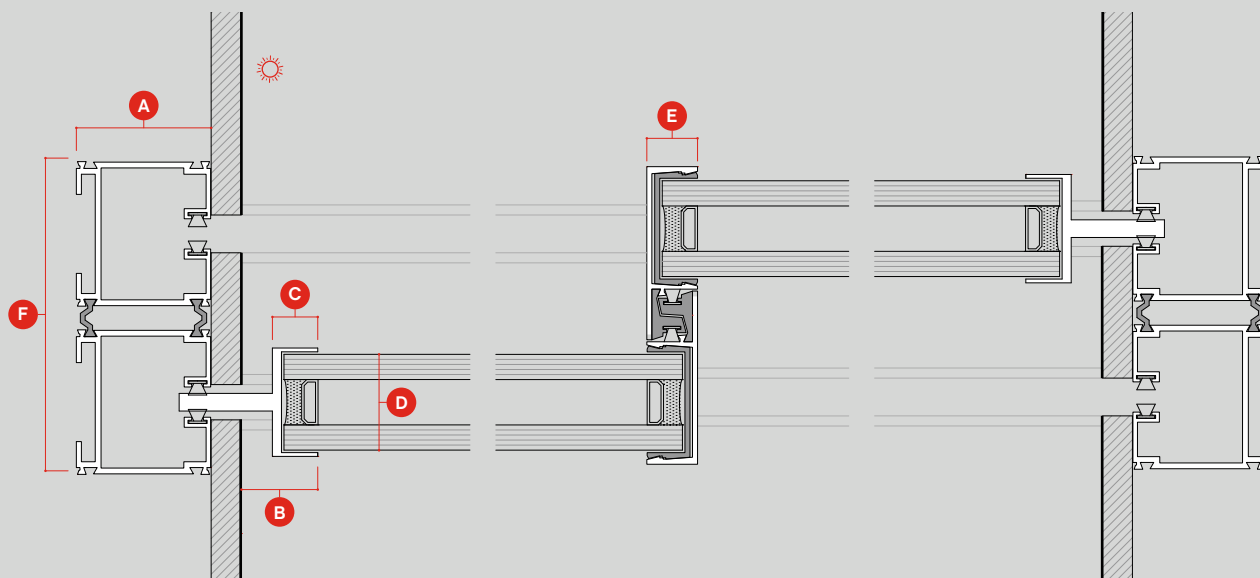
- 1** main frame
- 2** glass
- 3** polyamide
- 4** handle
- 5** multipoint locking system
- 6** central mullion
- 7** removable bearing profile

ah!38

motorised invisible frame option A common sections

1:3

scale

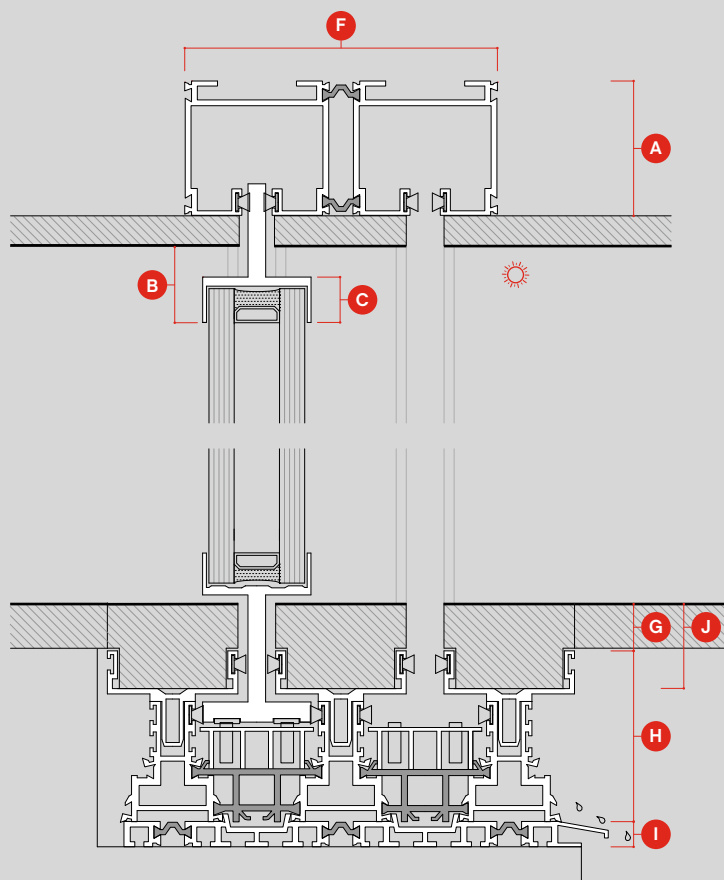


dimensions

A 53mm	F 124mm
B 30mm	G 18mm
C 18mm	H 68mm
D 38mm	I 10mm
E 20mm	J 33mm

motorisation

space required for motorisation system: 150mm
above the top frame

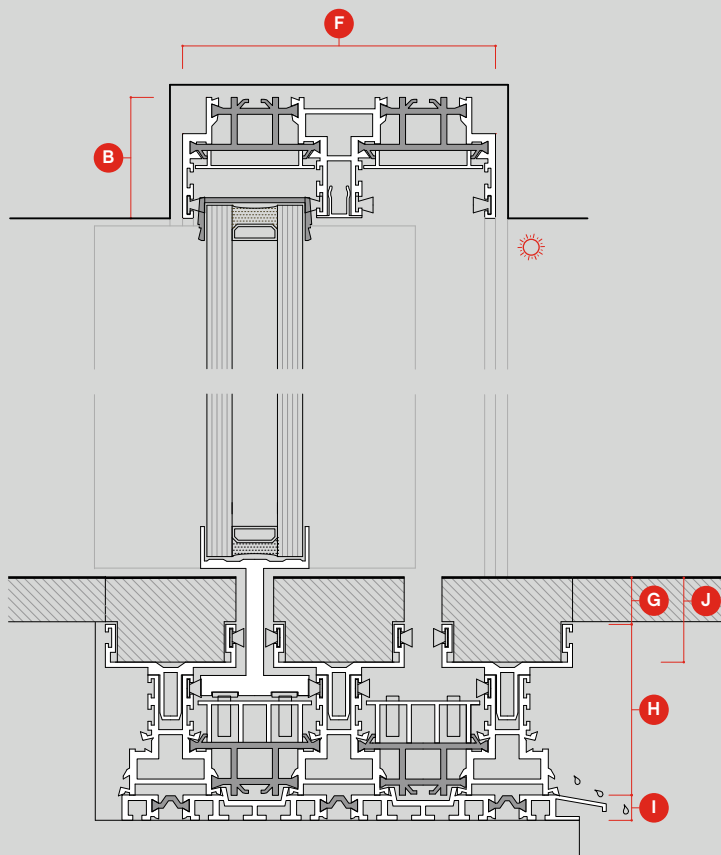
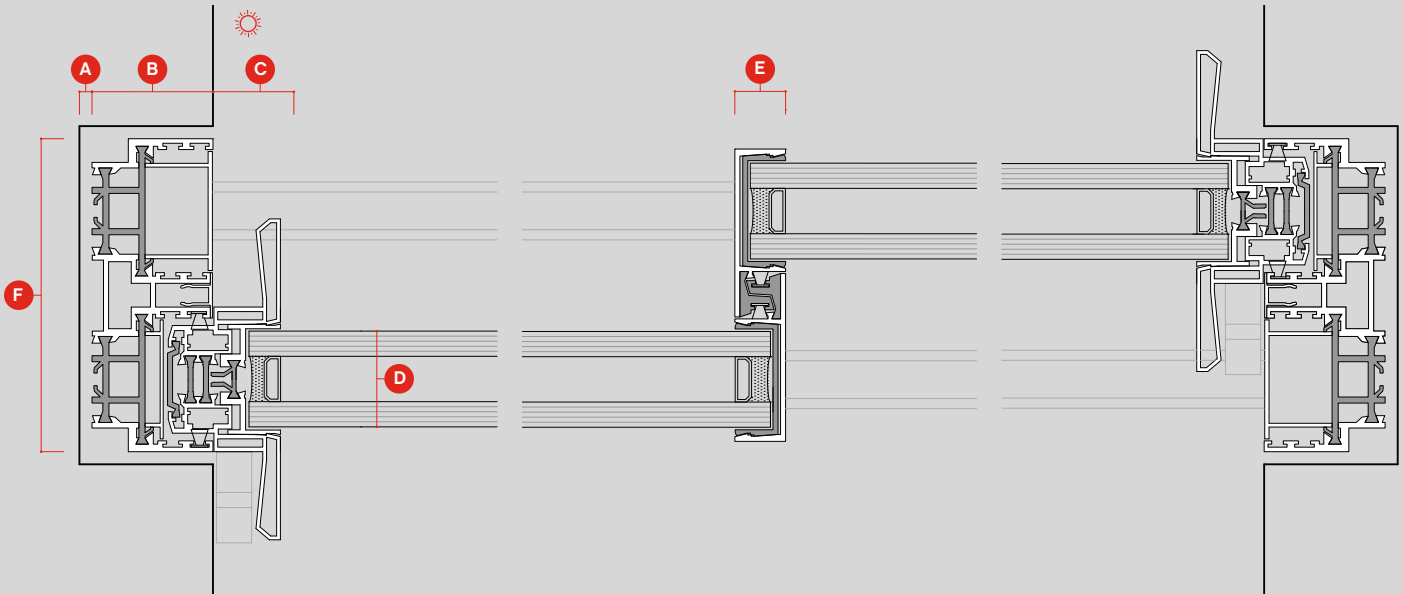


ah!38

invisible frame option B common sections

1:3

scale



dimensions

A 5mm	F 124mm
B 48mm	G 18mm
C 27mm	H 68mm
D 38mm	I 10mm
E 20mm	J 33mm

invisible frame

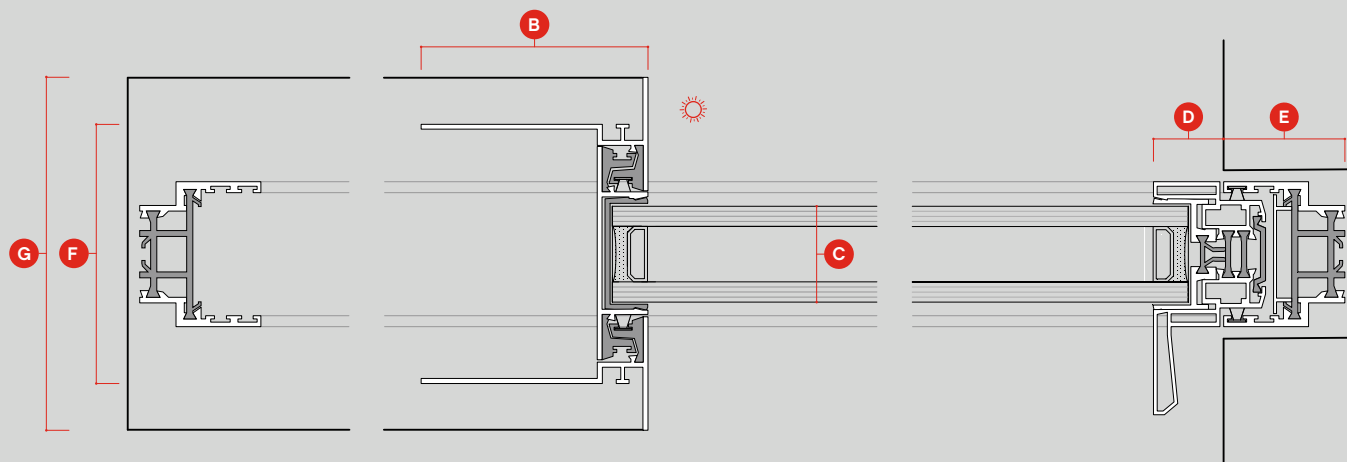
panoramah!® invisible frame system further emphasizes the minimalism feature by concealing the frame below the finished floor, walls and ceiling. It provides a threshold-free transition between inside and outside as the space between the narrow tracks is covered by the same material as the interior of the room. It uses double glazed surface areas of up to 19m² or triple glazed of up to 6m².

ah!38

pocket common sections

1:3

scale

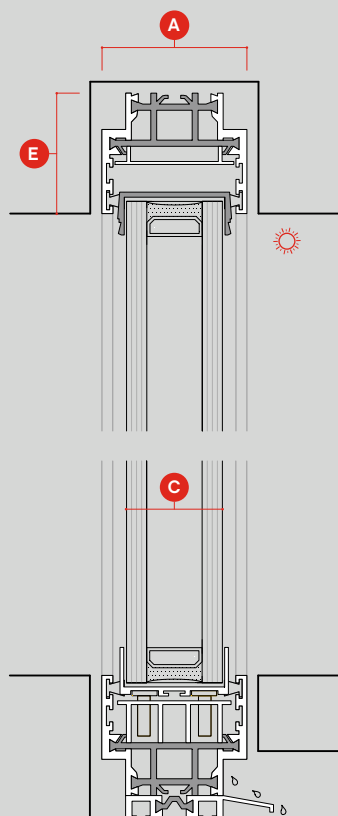


dimensions

A 57mm	E 48mm
B 90mm	F 103mm
C 38mm	G 140mm
D 28mm	

pocket

Opening configuration that allows for a complete recessing of the window's moving panels into a wall, ceiling or floor creating the experience of a full flowing space.

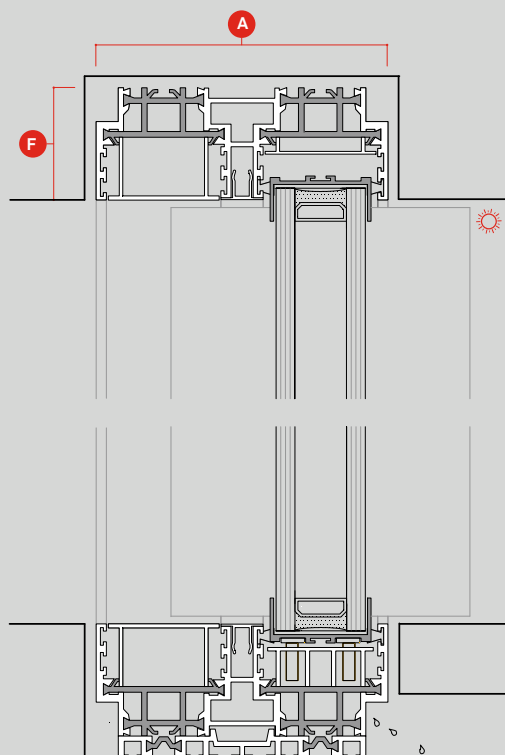
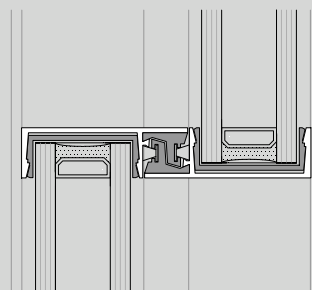
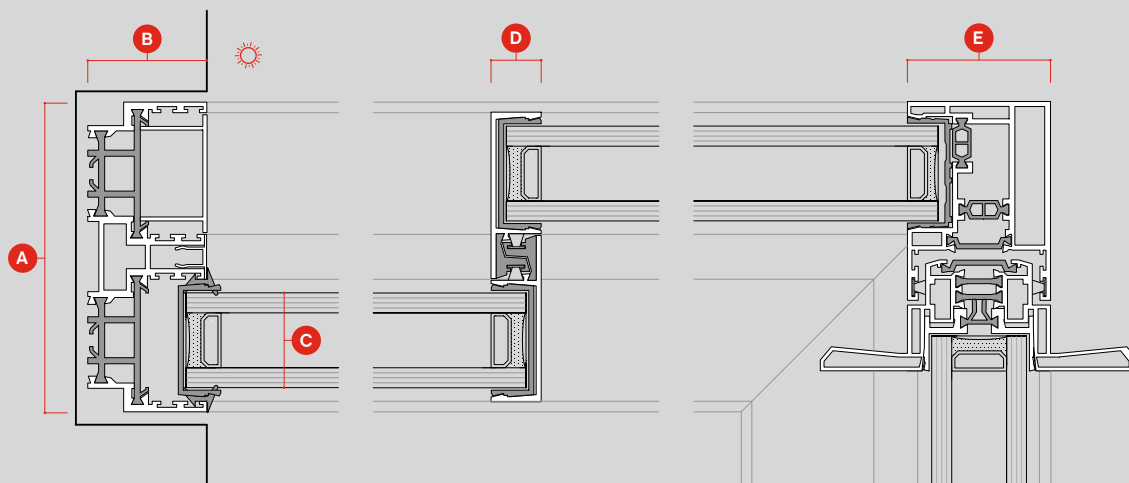


ah!38

corner common sections

1:3

scale



dimensions

A	124mm	D	20mm
B	48mm	E	57mm
C	38mm	F	48mm

full corner opening

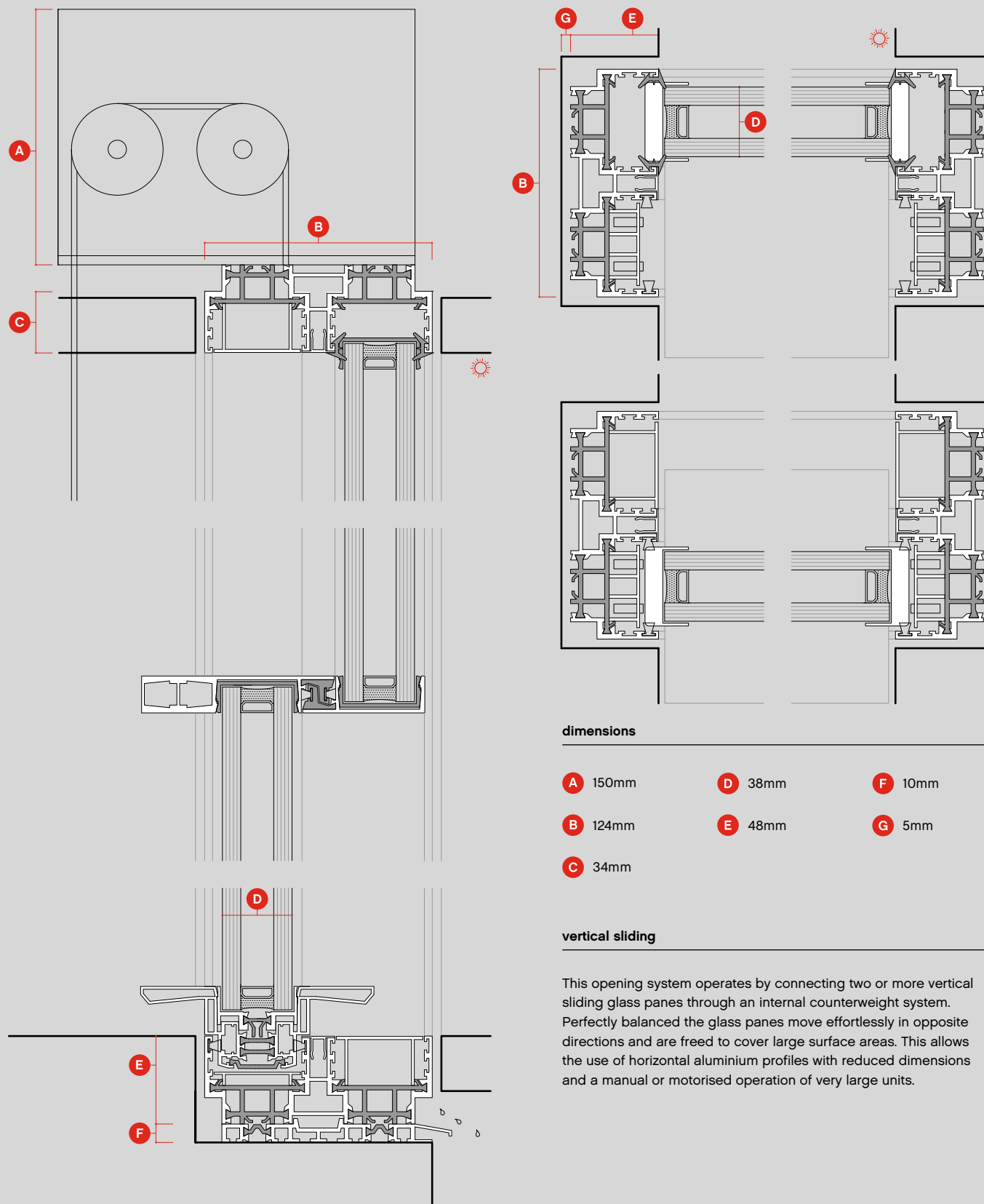
Framed corner angle setup that allows two bi-parting units to slide without the need for a fixed vertical upright.

ah!38

vertical sliding common sections

1:3

scale

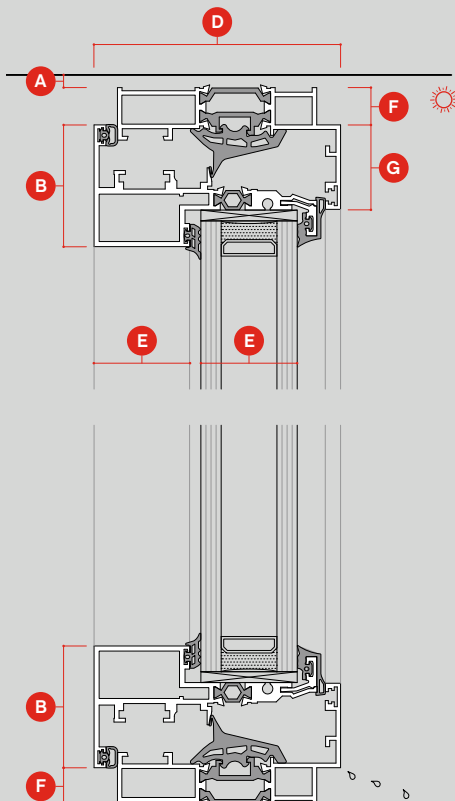
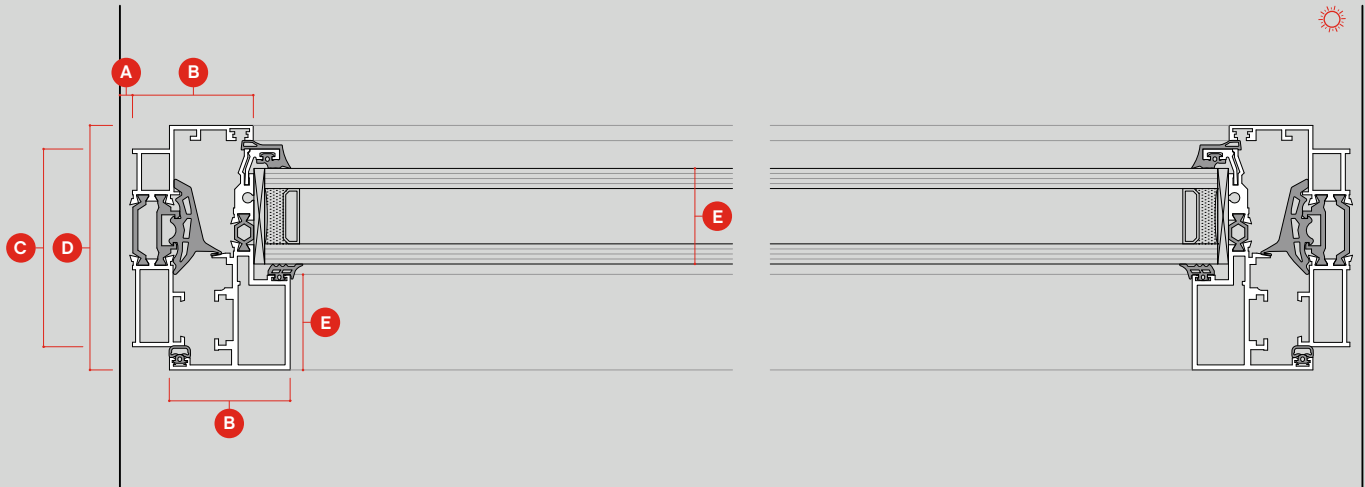


ah!38

tilt-turn common sections

1:3

scale



dimensions

A 5mm	E 38mm
B 48mm	F 15mm
C 79mm	G 33mm
D 97mm	

tilt-turn

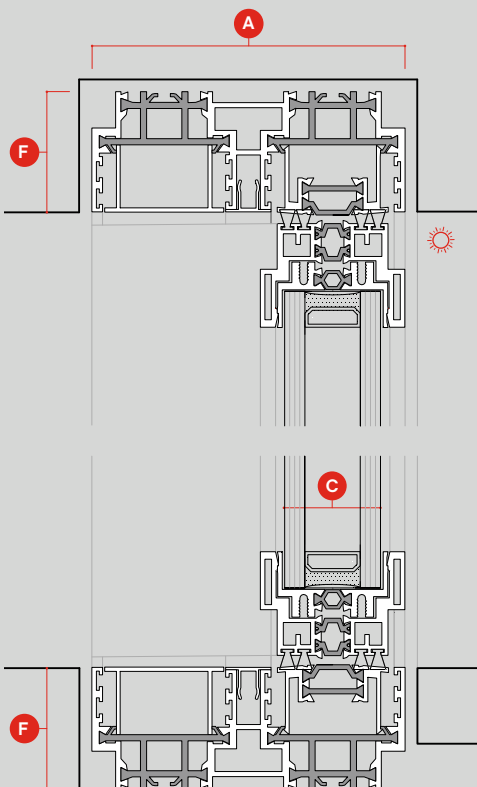
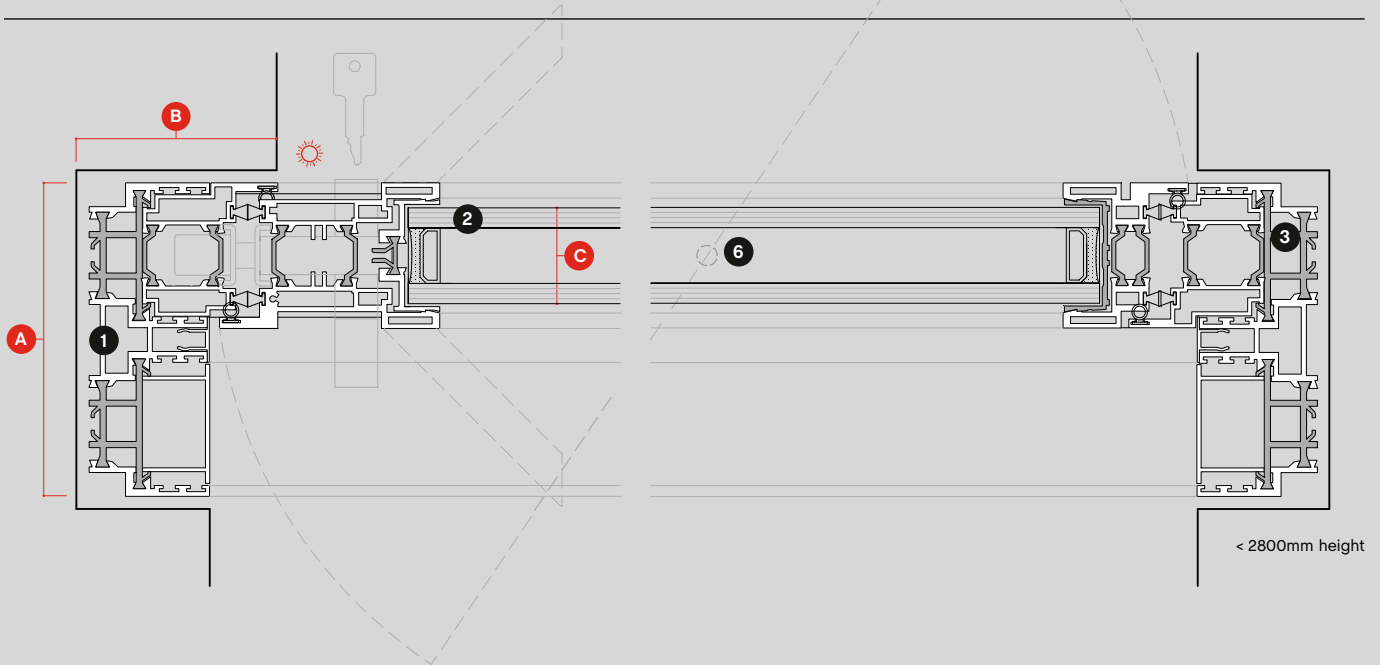
A system that can be opened in two positions: tilting position, wherein the opening is performed on the upper part and swinging that consists of a side opening. It allows for good acoustic and thermal insulation performance, while guaranteeing a good level of safety. It is designed to be aesthetically on par with the other opening systems.

ah!38 Pivot

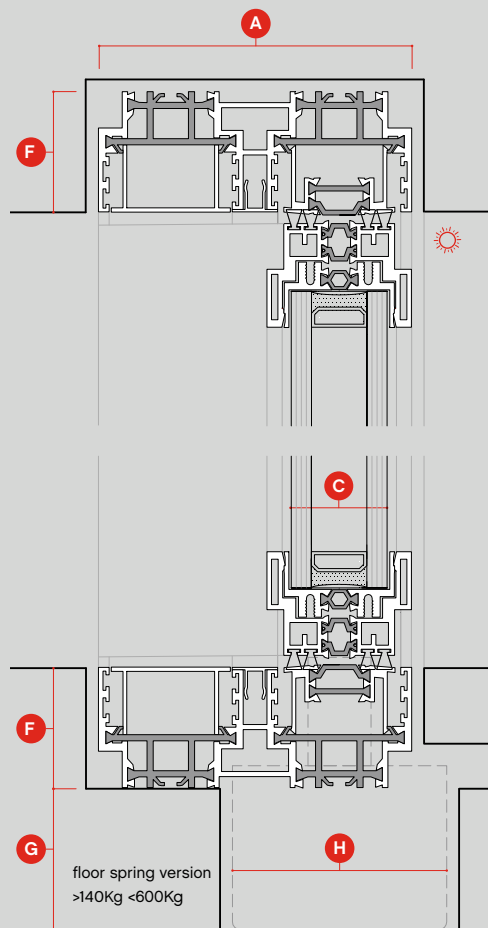
pivot common sections, manual lock

1:3

scale



pivot version
<140Kg



floor spring version
>140Kg <600Kg

dimensions

- A** 124mm
- B** 75mm
- C** 38mm
- D** 67mm
- E** 23mm
- F** 48mm
- G** 53mm
- H** 85mm

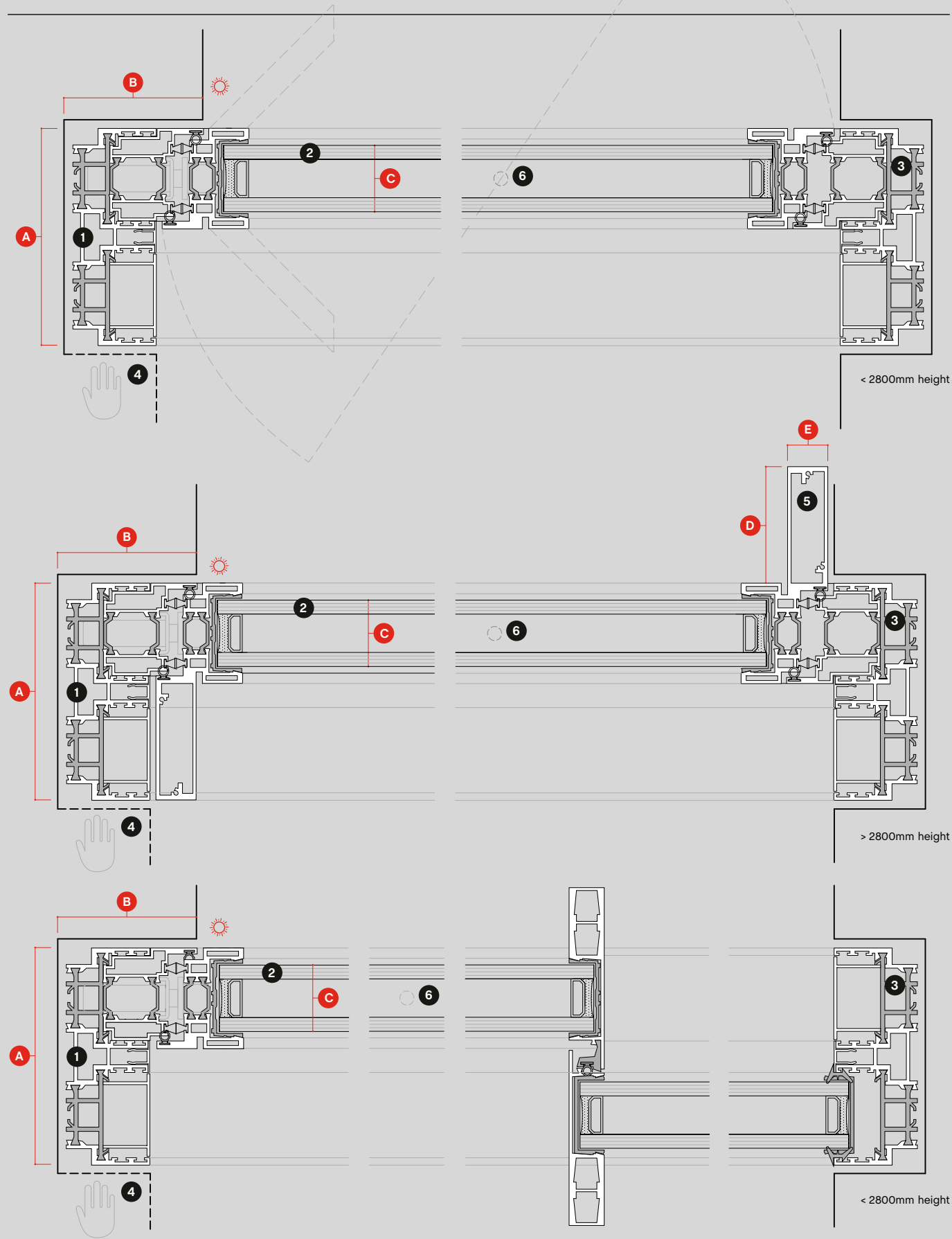
- 1** main frame
- 2** glass
- 3** polyamide
- 4** accessible area
- 5** reinforced profile
- 6** pivot or floor spring

ah!38 Pivot

pivot common sections, motorized lock

1:3

scale

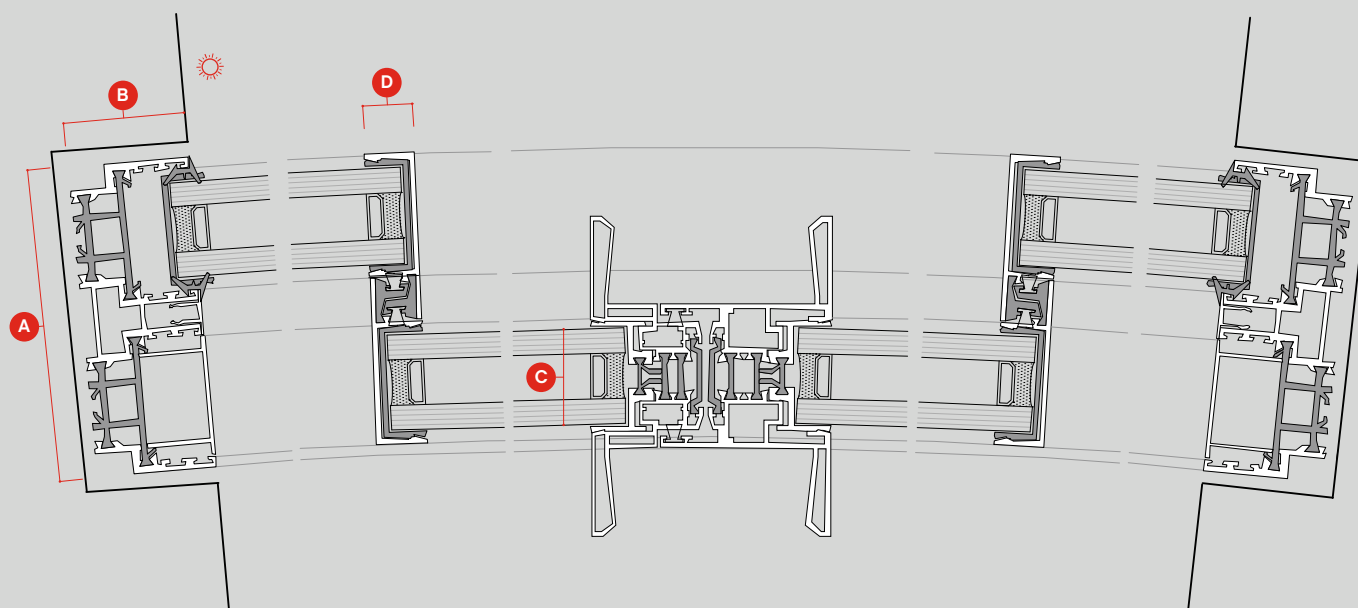


ah!38

curved common sections

1:3

scale / échelle



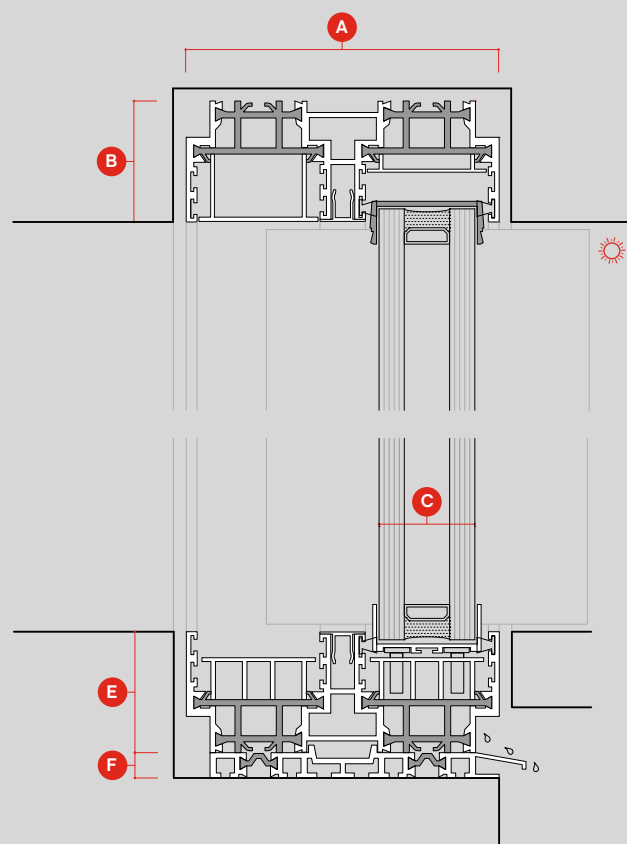
dimensions

A	124mm	D	20mm
B	48mm	E	48mm
C	38mm	F	10mm

curved

Curved sliding elements offer smooth running performance and can be motorized upon request. **panoramah!®curved** system allows a radius of 1,5m for sliding and fixed panes. Curved glass is always tempered.

max. dimensions 3000 x 3000mm
min. R 1500mm

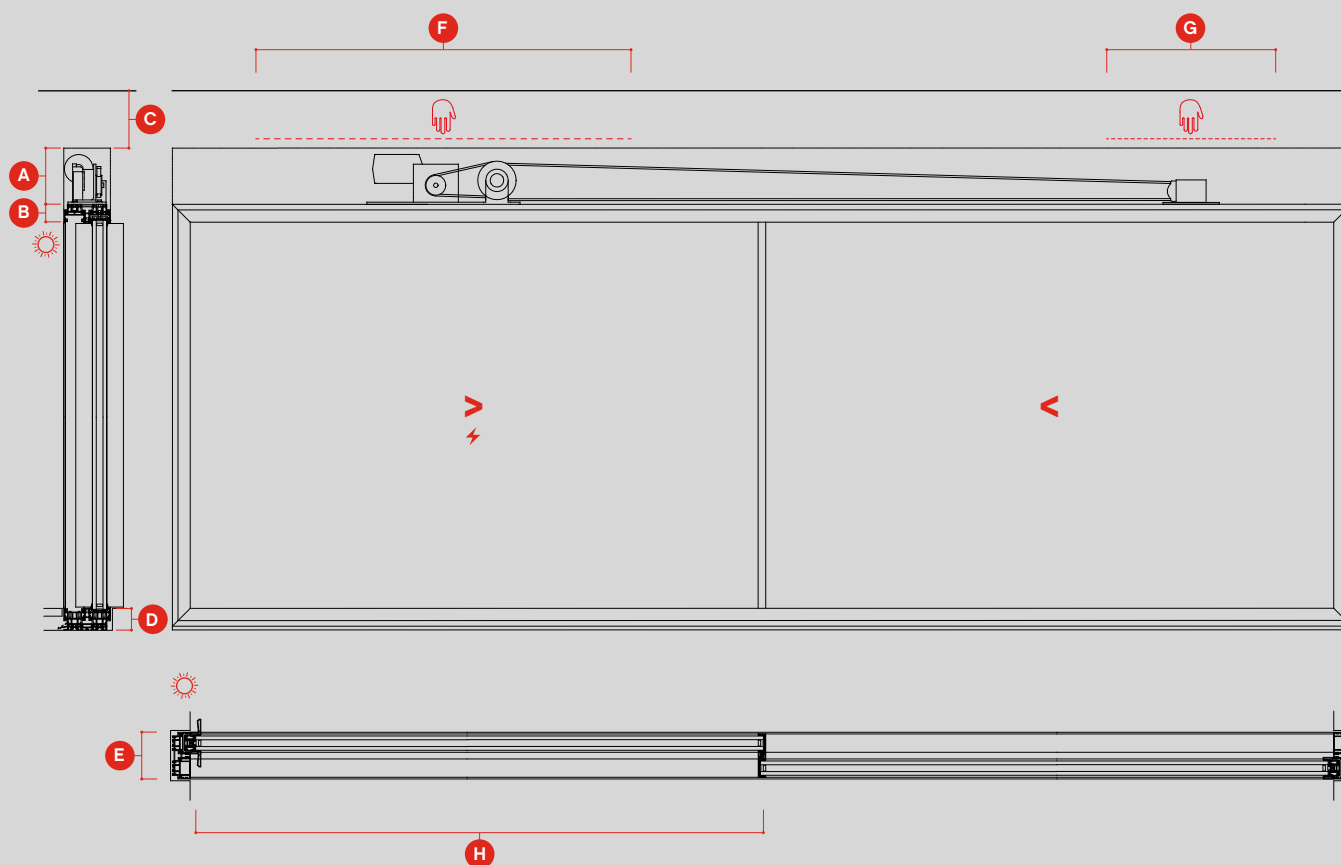


ah!38 motorisation

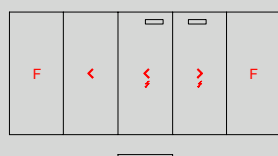
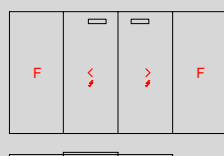
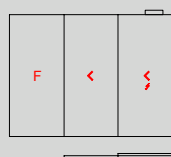
common sections

1:20

scale



opening typologies



dimensions

A 150mm	E 124mm
B 48mm	F 1000mm
C 150mm	G 450mm
D 58mm	H ≥1000mm



Sash House / Northumberland Place | London, UK
Saunders
Tigg + Coll Architects
© David Butler

Villa AT | Kristiansand, Norway
Saunders Architecture (Todd Saunders)
© Bent René Synnevig





Villa Lac, Switzerland
GM Architectes Associés / Tiziano Borghini
© Amir Korour

La Residence, Israel
Vered Blatman-Cohen
© Amit Gero







House in La Moraleja | Madrid, Spain
Otto Medem Arquitectura
© Antonio Lachos

we build ah!



unlimited perspective sa
ch philibert-de-sauvage 37
1219 chatelaine
switzerland

p. +41 21 804 1700
f. +41 21 804 1709

info@panoramah.com
www.panoramah.com

facebook
www.facebook.com/panoramah.ch/

instagram
www.instagram.com/_panoramah_/